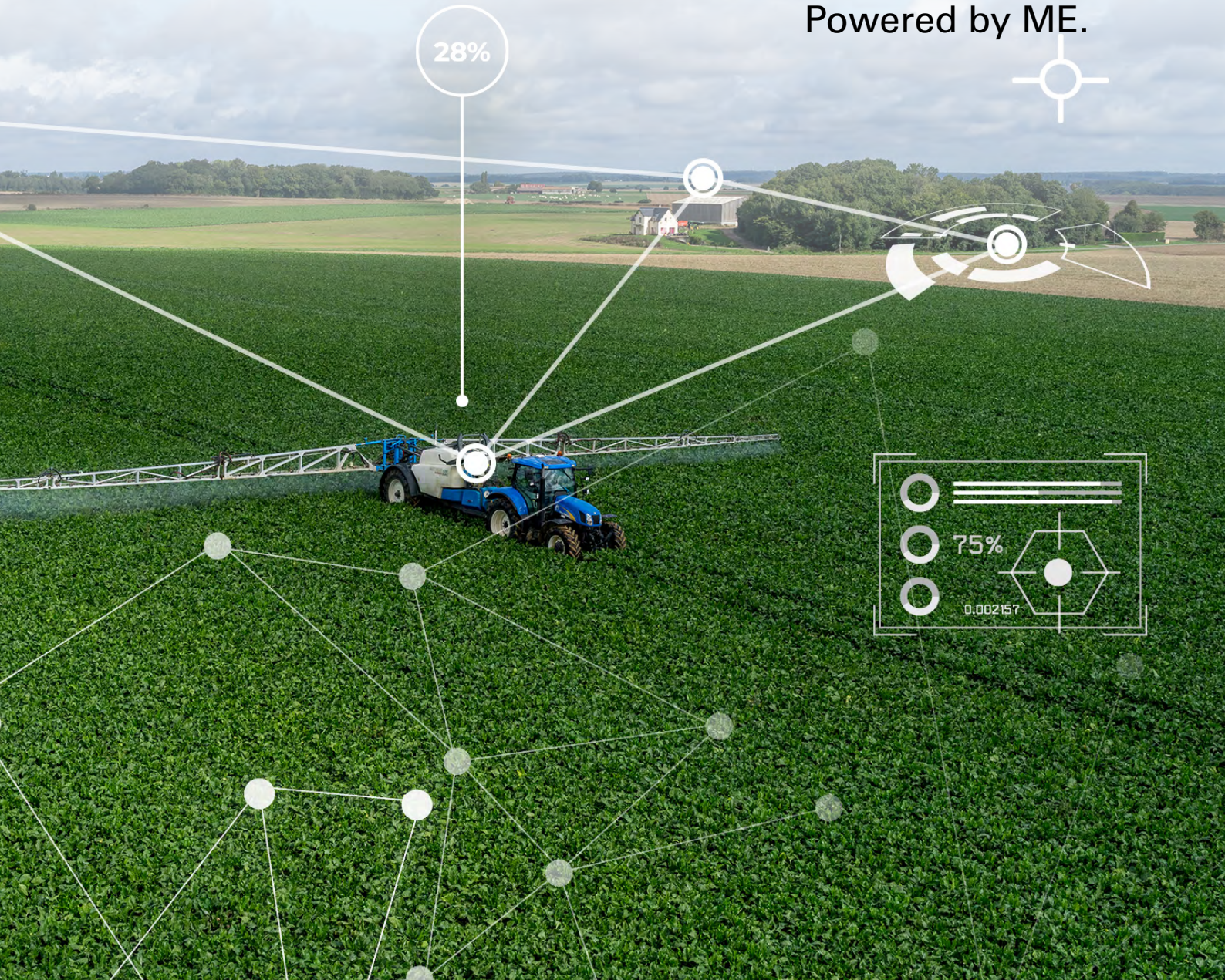


Aftermarket Solutions for Precision Farming

Powered by Innovation.
Powered by ME.



Product Catalogue 2022

valid as of 1 January 2022



Content

Precision Farming

Accessories for ISOBUS terminals 4

Seeding

Function overview Precision Planter 8

ISOBUS monitoring module 9

ISOBUS PLANTER-Controller with junction box 10

Function overview Seeder 11

ISOBUS DRILL-Controller 12

Crop protection

Control and monitoring systems

Function overview 14

TANK-Control 15

ISOBUS SPRAYER-Controller 16

ISOBUS SPRAYER-Controller Orchard/Vineyard 18

ISOBUS HOEING-Controller 20

Fertilization

Function overview 22

ISOBUS SPREADER-Controller 23

ISOBUS SLURRY-Controller 24

ISOBUS SCALE-Controller 26

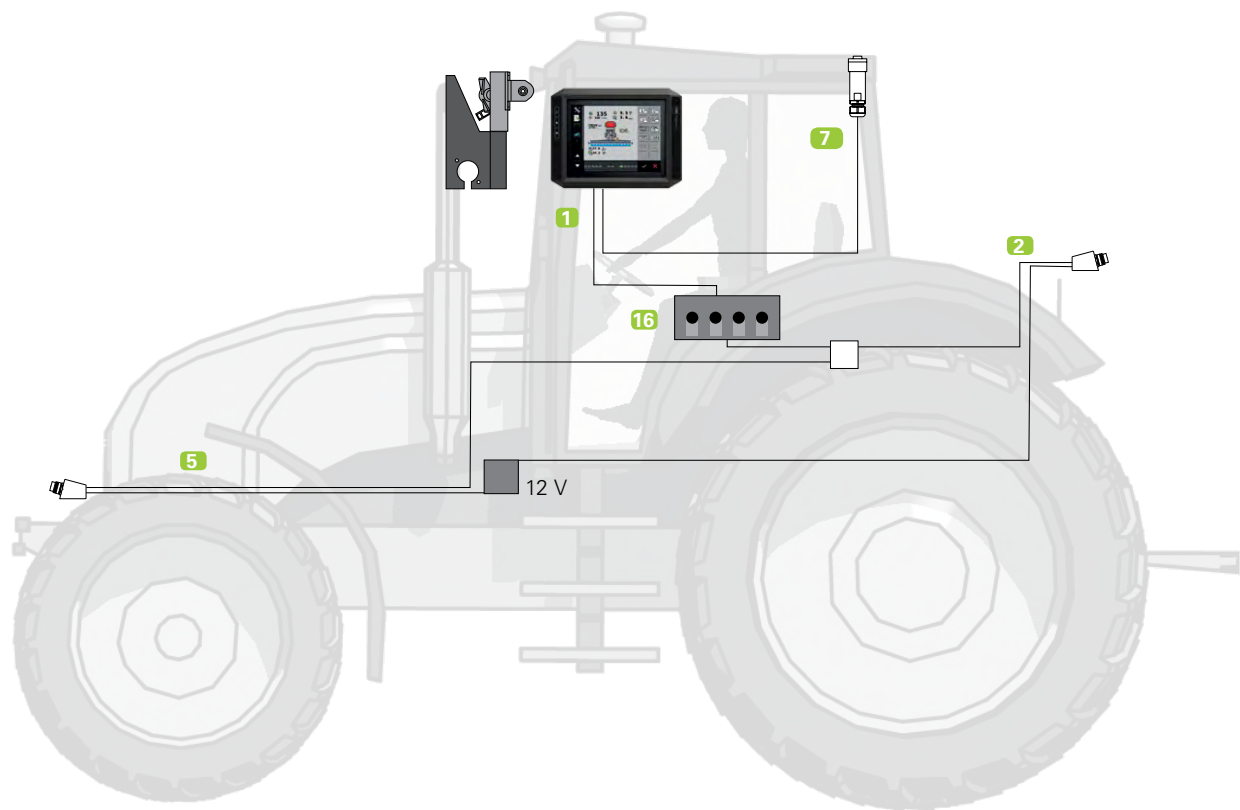
MIDI 3.0 standard components 27

Spare parts 28





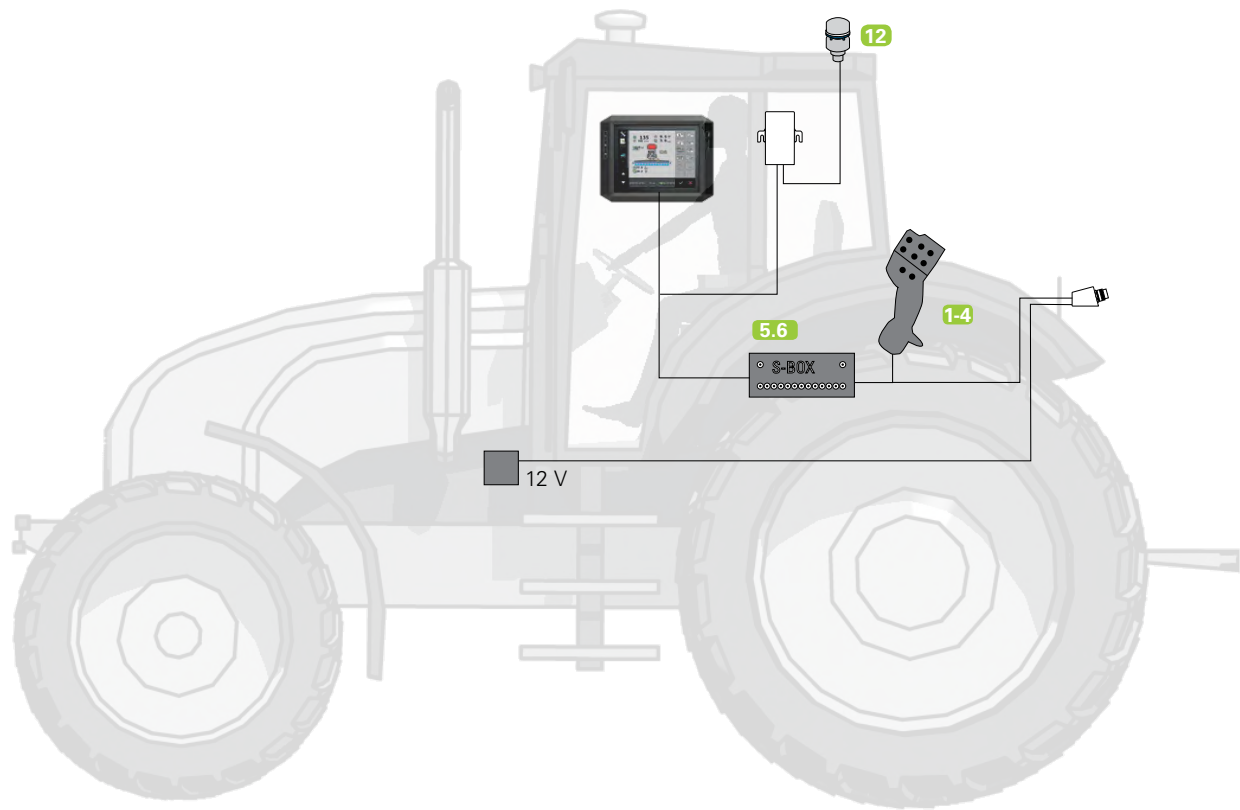
Accessories for ISOBUS terminals



- | | | | |
|----|----|----|----|
| 1 | 2 | 3 | 4 |
| 5 | 6 | 7 | 8 |
| 9 | 10 | 11 | 12 |
| 13 | 14 | 15 | 16 |

Tractor basic vehicle harness		Part no.
1	ISOBUS basic vehicle harness for tractors with In-Cab-Connector	30322541
2	ISOBUS basic vehicle harness with 9-pin CPC connector, with rear socket 2.9 m cable. 50 A	30322574
	ISOBUS basic vehicle harness with 9-pin CPC connector, with rear socket 6.1 m cable. 50 A	30322573
3	Connector cable SMART ⁴³⁰ ® to ME basic vehicle harness with 9-pin Sub-D connector	31322596
4	Connector cable SMART ⁴³⁰ ® to ISOBUS basic vehicle harness with 9-pin CPC connector	31322597
5	ISOBUS basic vehicle harness with front and rear socket. cable length for front socket 6 m, rear socket 2.9 m	30322558
6	Adapter cable in-cab-connector with 9-pin CPC connector for tractors with ISOBUS (e.g. CASE. NEW HOLLAND)	30322547
Accessories for 30322554		
7	Front socket, cable length 6 m with conversion kit for rear socket	30322559
Accessories		
8	Adapter cable for ME terminal to the signal socket in accordance with DIN 9684.1/ISO 11786 for using the tractor ECU (non-touch terminals starting at HW 3.0.0 and touch terminal)	30322548
9	Adapter cable for SMART ⁴³⁰ ® to the signal socket in accordance with DIN 9684.1/ISO 11786 for using the tractor ECU	31322598
10	Adapter cable for ME terminal with the ASD app for using a third-party terminal e.g. Rauch, Quantron E, E2 (non touch-terminals starting at HW 3.0.0 and touch terminal)	3032254800
11	Y cable for 2 ME terminals or AMATRON+	30322572
12	Y cable for ME-Terminal to ISOBUS basic vehicle harness (CPC InCab) with CPC connector	31322595
13	Y cable for ME-Terminal to ISOBUS basic vehicle harness (CPC InCab) with CPC connector	31322594
14	Mounting bracket VESA75 for touch terminals on round pipe systems with a diameter of 20, 25 or 30 mm	31322508
15	Pivoting bracket VESA75 for touch terminals	31322507
16	CPC quadruple box	3032257801

Accessories for ISOBUS terminals



- | | | | |
|----------|-----------|-----------|-----------|
| <p>1</p> | <p>2</p> | <p>3</p> | <p>4</p> |
| <p>5</p> | <p>6</p> | <p>7</p> | <p>8</p> |
| <p>9</p> | <p>10</p> | <p>11</p> | <p>12</p> |

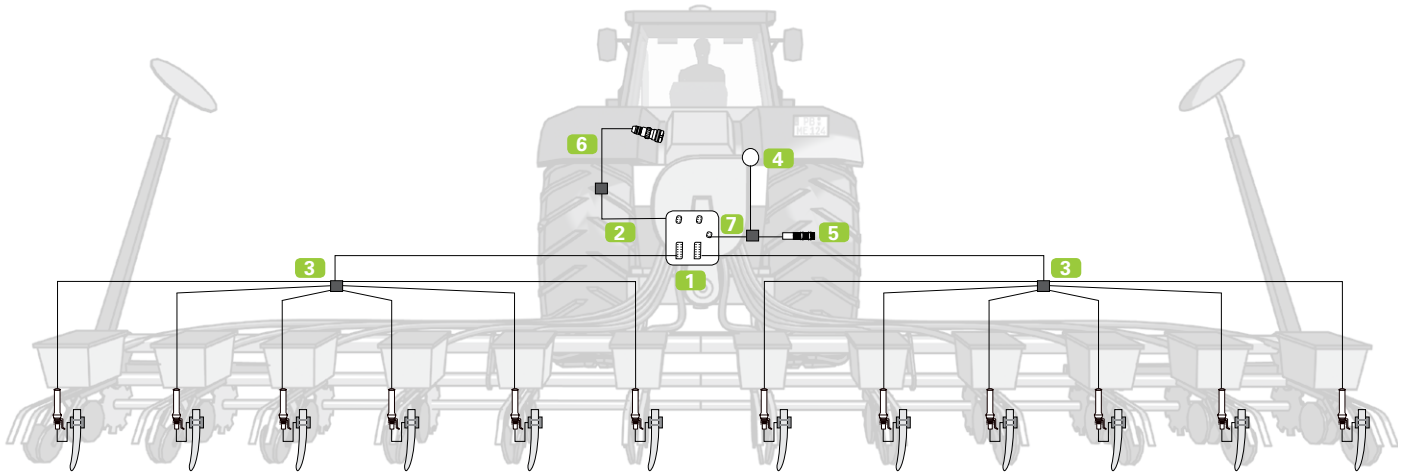
Joystick ISOBUS terminal		Part no.
1	Joystick III for connection to ME terminal with 9-pin Sub-D connector and socket, sealed buttons, supports Auxiliary Protocols AUX-2 and AUX-ME	3032258305
2	Joystick III for tractors with an ISOBUS in-cab connector with 9-pin CPC socket, sealed buttons, supports Auxiliary Protocols AUX-2 and AUX-ME	3032258607
3	Joystick III for tractors with an ISOBUS in-cab connector for third-party terminals with 9-pin CPC connector and socket	3032258106
4	Joystick PRO with 9-pin CPC socket	3032258620
S-BOX		
5	S-Box, 9 sections, with 9-pin Sub-D connector	30322608
	S-Box, 13 sections, with 9-pin Sub-D connector	30322616
	S-Box, 18 sections, with 9-pin Sub-D connector	30322618
6	S-Box, 9 sections, with 9-pin CPC connector for third-party terminals	30322638
	S-Box, 13 sections, with 9-pin CPC connector for third-party terminals	30322646
	S-Box, 18 sections, with 9-pin CPC connector for third-party terminals	30322647
Camera		
7	Analogue HQ2 camera with 11 m cable for non-touch terminals	3030249101
8	Analogue HQ2 camera with 11 m cable for touch terminals	3030249401
9	Analogue NQ camera with 11 m cable for touch terminals	3030249400
10	Extension cable for HQ and NQ camera, 5 m	31303060
	Connector cable for HQ and NQ camera for touch terminals, 10 m	31303062
11	Extension cable for HQ2 camera, 5 m	3130306001
Weather station		
12	ISOBUS Weather station (to be ordered from the Trimble store)	75774-50

Function overview

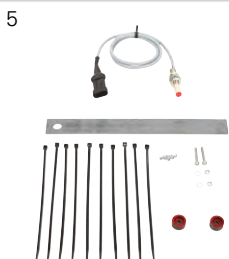
Precision planter

	ISOBUS PLANTER-Controller with junction box	ISOBUS PLANTER-Controller with monitoring module	ISOBUS PLANTER-Controller with control module	ISOBUS PLANTER-Controller MRC
Number of metering units	-	up to 12	up to 12	up to 12
Pre-metering	-	●	●	●
Target rate adjustment	-	●	●	●
Fan	2	2	2	2
Tramline control	●	-	●	●
Blockage monitoring	42	170	106	120
Internal task counters	●	●	●	●
Product database	●	●	●	●
Hydraulic functions	-	●	●	●
ISOBUS	●	●	●	●
ISOBUS-TC	●	●	●	●
SECTION-Control	●	●	●	●
MULTI-Control	●	●	●	●

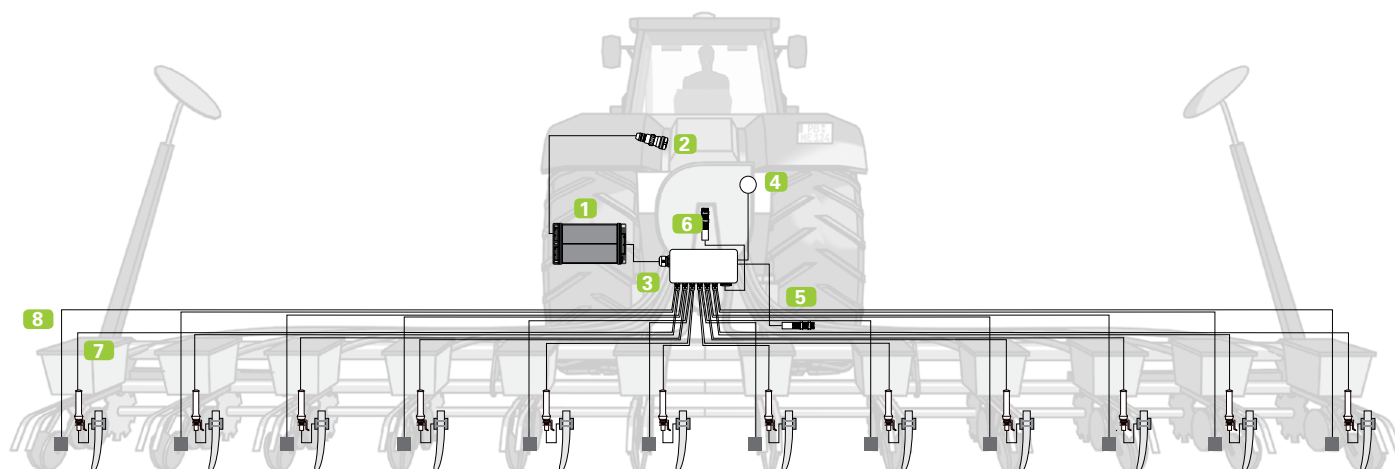
ISOBUS monitoring module for precision planter



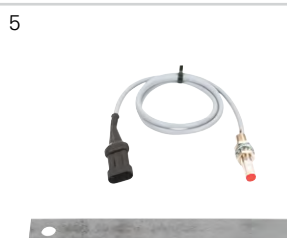
		Item no.
1	ISOBUS monitoring module precision planter	30284103
2	Adapter cable ISOBUS to monitoring/control module	30284116
3	Cable harness, monitoring module	30284112
4	GPS speed sensor	30258330
5	Work position sensor, 1 m cable with AMP connector	30303615
6	Connector cable ISOBUS job computer available in different cable lengths	see page 47
7	Connection cable sensors monitoring/control module	30284117



ISOBUS PLANTER-Controller with junction box



ISOBUS precision planter		Part no.
1	ECU-MIDI 3.0 precision planter ISOBUS job computer	75774-20
2	Connector cable, ISOBUS job computer available in different cable lengths	see page 47
3	Universal junction box for ECU-MIDI 3.0 available with different cable lengths	see page 47
4	GPS speed sensor	30258330
5	Work position sensor, 1 m cable with AMP connector	30303615
6	Rotational speed sensor with AMP connector	30303623
7	Connector cable for sensors, 1.10 m with 3-pin AMP socket to junction box	3030329706
	Connector cable for sensors, 2 m with 3-pin AMP socket to junction box	30303294
	Connector cable for sensors, 4 m with 3-pin AMP socket to junction box	30303296
	Connector cable for sensors, 6 m with 3-pin AMP socket to junction box	30303295
8	Connector cable Shut-off clutch, 5 m	30285057
	Connector cable Shut-off clutch, 10 m	30285056
9	Shut-off clutch, available in different variants	see page 17

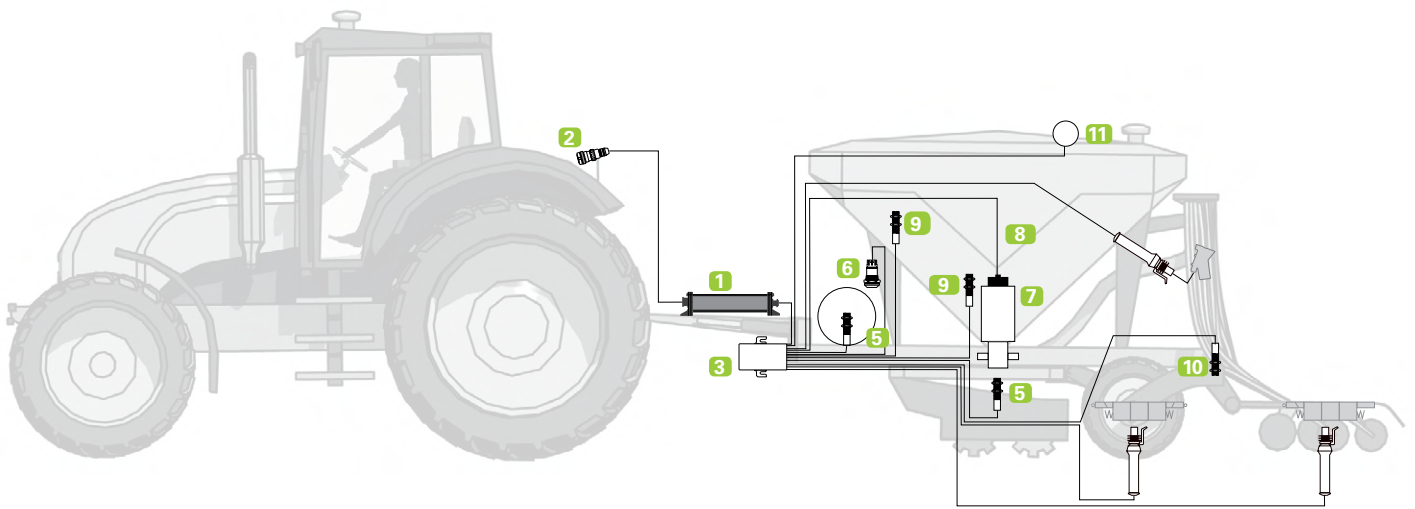


Function overview

Seeder

	ISOBUS DRILL-Controller
Number of metering units	up to 2
Pre-metering	on the work screen
Half width shutoff system	●
Target rate adjustment	●
Fan	1 monitoring
Tramline	motor, solenoid (L&R)
Fill level sensor	●
Pre-emergence marker	magnet (L&R)
Blockage monitoring	-
Internal task counter	●
Product database	●
Folding	-
Lifting/Lowering	●
ISOBUS	●
ISOBUS-TC	●
SECTION-Control	●
MULTI-Control	●

ISOBUS DRILL-Controller

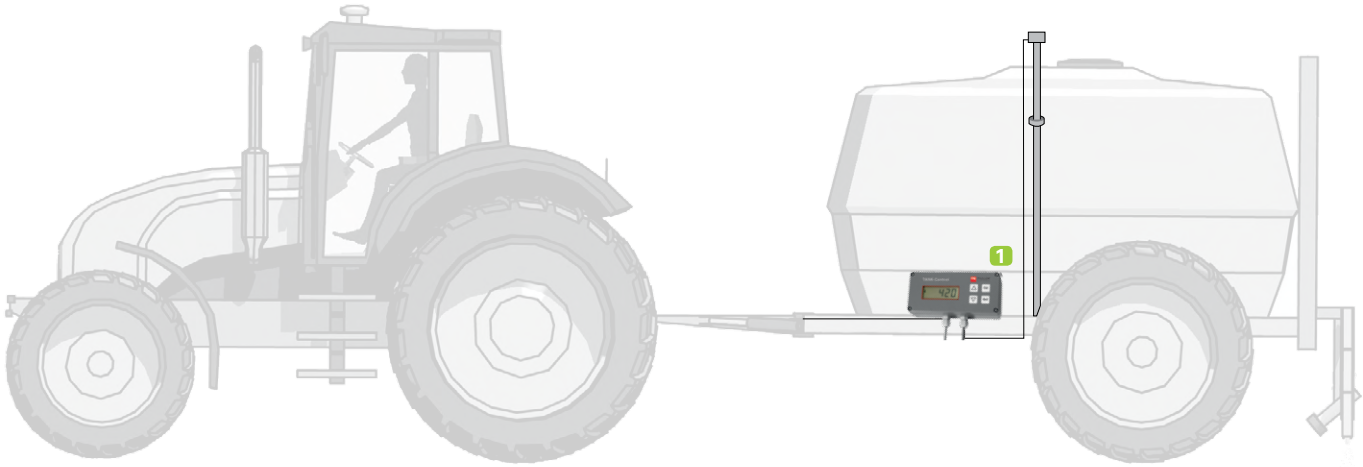


ISOBUS seeder		Part no.
1	Field IQ ISOBUS Midi 3 ECU (<i>to be ordered from the Trimble store, adapter cables available from the store</i>)	75774-20
	ECU-MIDI 3.0 seeder ISOBUS job computer	3028501101
2	Connector cable, ISOBUS job computer available in different cable lengths	see page 47
3	Cable harness ISOBUS seeder with 2 metering drives	30285031
4	Universal junction box for ECU-MIDI 3.0 available with different cable lengths	see page 47
5	Rotational speed sensor with AMP connector	30303623
6	Calibration button with AMP connector	30285080
7	Electrical metering drive	30285051
8	Connector cable for electrical metering drive to junction box, 2 m	30285055
9	Level sensor, 1 m cable with AMP connector	30303650
10	Work position sensor, 1 m cable with AMP connector	30303615
11	GPS speed sensor	30258330
12	Connector cable for sensors, 4 m with 3-pin AMP socket to junction box	30303296
Accessories		
13	Connector cable, main to expansion job computer available in different cable lengths	see page 47

Function overview Crop protection

	ISOBUS SPRAYER- Controller	ISOBUS SPRAYER- Controller Orchard/ Vineyard	ISOBUS Hoeing- Controller
Application rate monitoring	●	●	-
Application rate regulation	●	●	-
ISOBUS system	●	●	●
No. of sections	up to 18 (with 2 job computers)		
Hydraulic functions	up to 20 hydraulic functions per job computer	up to 20 hydraulic functions per job computer	up to 20 hydraulic functions per job computer
Trip and total counter	●	●	●
Task management (ISOBUS-TC)	●	●	●
Working with prescription maps	●	●	●
Fill level sensor (TANK-Control)	●	●	-
Filling, flushing and stirrer control (TANK-Control III)	●	-	-
Drawbar and stub axle steering (TRAIL-Control)	●	-	-
Boom height control system (DISTANCE-Control)	●	-	-
Boom height control system (DISTANCE-Control II)	●	-	-
Section control (SECTION-Control)	●	●	●
Single nozzle switching (SECTION-Control TOP)	up to 512		
Automatic nozzle selection (VARIO-Select)	●		
Turn Compensation (CURVE-Control)	●		
Droplet size control (AIRTEC)	●		
Multi-Product Control (MULTI-Product)	●		
Multi-Device Control (MULTI-Device)	●	-	●
Multi-Boom Control (MULTI-Boom)	●		
Application Rate Control per Section (MULTI RATE-Control)	●		
Multi-Boom Section Control (MULTI SECTION-Control)	●		
External keypads	up to 3x 8 keys		
Joystick	●	●	●
S-Box	●	●	●
Weather station	●	●	
Compatibility with agronomic sensors	●		
Configuration	via PC	via PC	via PC

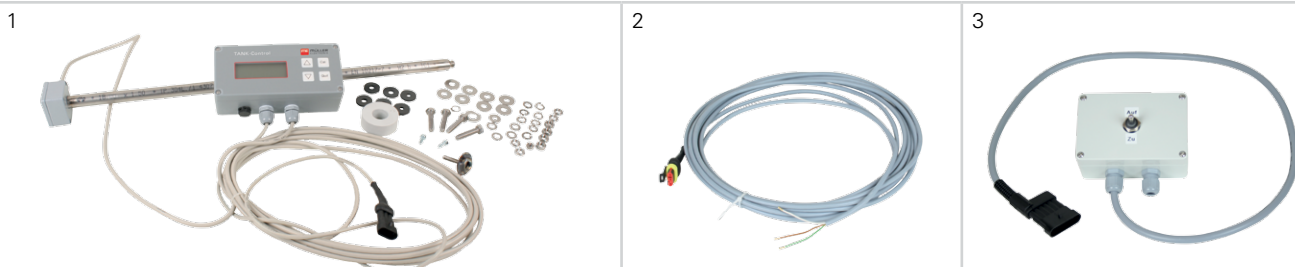
TANK-Control



Optional for all sprayer control systems

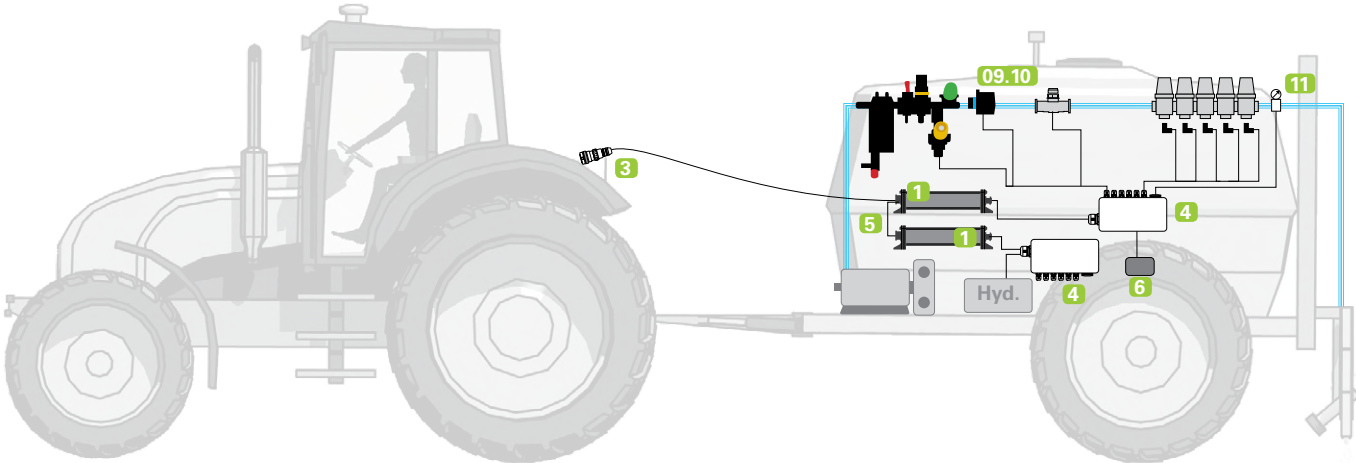
TANK Control		Part no.
The first number in the article text is the maximum measurement value, while the second number is the overall length of the sensor.		
1	TANK-Control with level sensor 1200/1380	30252003
	TANK-Control with level sensor 1440/1620	30252006
	TANK-Control with level sensor 1600/1780	30252011
	TANK-Control with level sensor 1840/2020	30252021
	TANK-Control with level sensor 2080/2260	30252045
	TANK-Control with level sensor 2400/2580	30252051
TANK Control accessories		
2	Extension cable for sensors, 6 m with AMP connector to junction box, is required for connection to junction box	30303295
3	Fillstop for job computer, with 6-pin AMP connector for ball valve	30252820

The ball valve can be sourced from an agricultural technology accessories shop.



ISOBUS SPRAYER-Controller*

*requires a Field IQ ISOBUS configurator-tool configuration

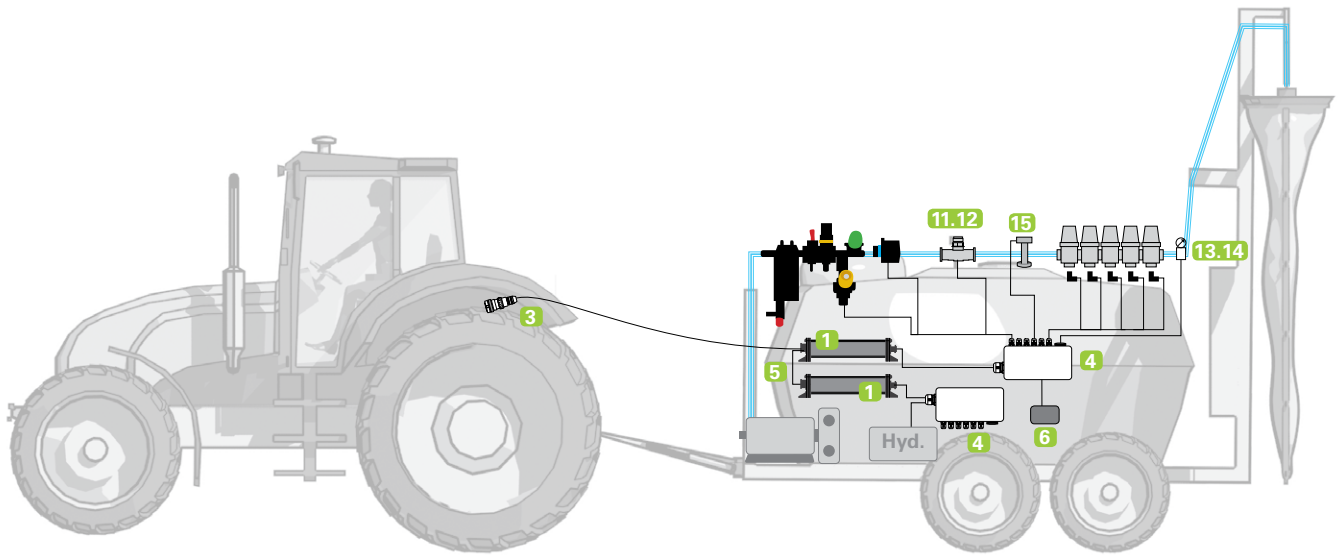


- | | | | |
|--|---|--|---|
| <p>1</p>  | <p>2</p>  | <p>3</p>  | <p>4</p>  |
| <p>5</p>  | <p>6</p>  | <p>7</p>  | <p>8</p>  |
| <p>9</p>  | <p>10</p>  | <p>11</p>  | <p>12</p>  |

ISOBUS job computer for sprayers		Part no.
1	Field IQ ISOBUS ECU-MIDI 3.0 <i>(to be ordered from the Trimble store)</i>	75774-20
2	Connector cable, ISOBUS job computer available in different cable lengths	see page 47
3	Universal junction box for ECU-MIDI 3.0 available with different cable lengths	see page 47
Accessories		
4	Connector cable, main to expansion job computer available in different cable lengths	see page 47
5	Sensor X (speed), trailed sprayer, 1 m cable with AMP connector, 12 magnets	30303621
6	GPS speed sensor	30258330
7	2 m connector cable for sensors, with 3-pin AMP socket to junction box	30303294
Flow meter		
8	Flow meter Bürkert, Inline DN 20,10 bar, 7 m cable without connector, 8 - 140 l/min	30244510
	Inline flow meter (Bürkert) DN 25, 10 bar , 7 m cable without connector, 14 - 220 l/min	30244710
9	Flow meter Polmac 1" Turbo-Flow 30 bar, 7 m cable without connector, 6 - 140 l/min	30244910
Pressure sensor		
10	Pressure sensor 0– 16 bar, 1 m cable with AMP connector	30303591
11	8 m connector cable for sensors, with 3-pin AMP socket to junction box	30303297
12	Accessories bag pressure	31243210

Motorized manifold for pumps up to 160 l/min, see „TANK-Control“

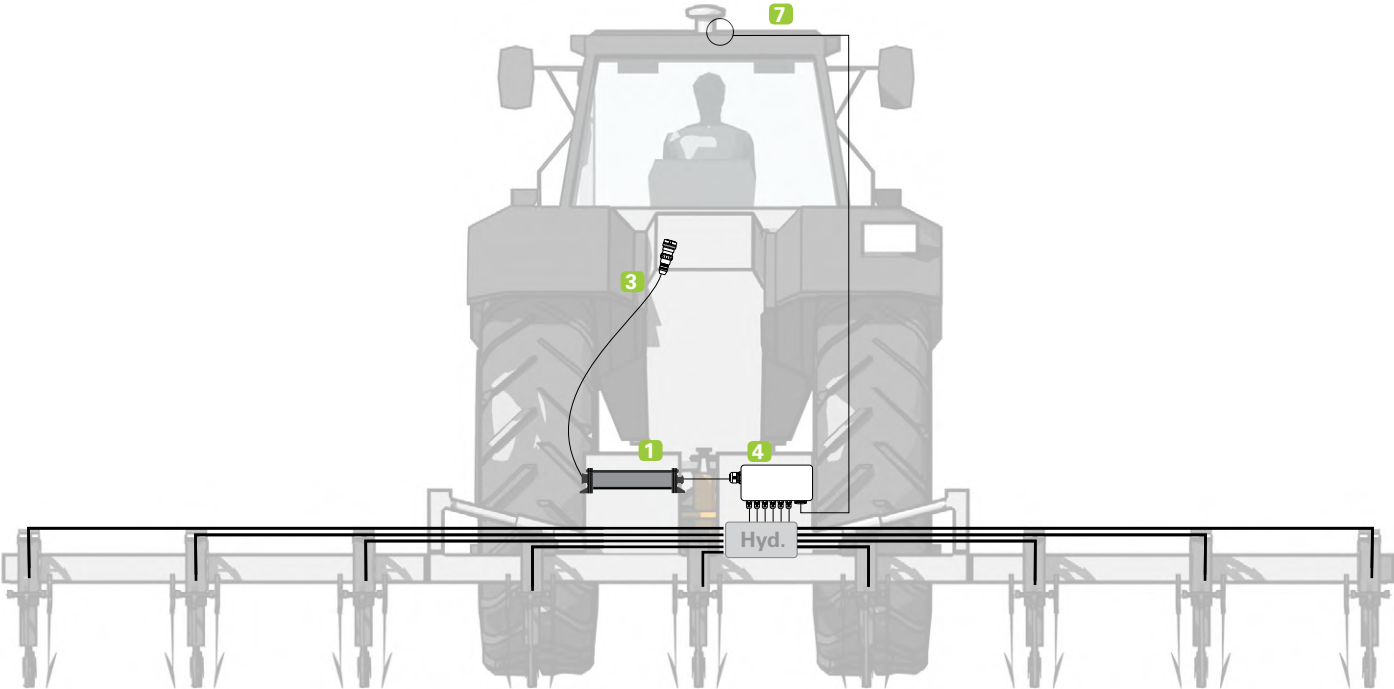
ISOBUS SPRAYER-Controller Orchard/Vineyard



ISOBUS job computer for orchard/vineyard sprayers		Item no.
1	ISOBUS job computer MIDI 3.0 orchard/vineyard <i>(to be ordered from the Trimble store)</i>	75774-20
2	Connector cable ISOBUS job computer available in different cable lengths	see page 47
3	Universal junction box for ECU-MIDI 3.0 available in different cable lengths	see page 47
4	Connector cable, main to expansion job computer available in different cable lengths	see page 47
5	Sensor X (speed), trailed sprayer, 1 m cable with AMP connector, 12 magnets	30303621
6	GPS speed sensor	30258330
7	2 m connector cable for sensors, with 3-pin AMP socket to junction box	30303294
8	Universal cable harness orchard/vineyard	3030383002
9	Adapter AMP 3-pin to valve connector, 1,5 m	3030383003
	Adapter AMP 3-pin to valve connector, 3 m	3030383004
Flow meter		
10	Flow meter Polmac 1" Turbo-Flow 30 bar, 7 m cable without connector, 6 - 140 l/min	30244910
11	Flow meter (Bürkert), Inline DN 20, 10 bar, 7 m cable without connector, 8 - 140 l/min	30244510
	Flow meter (Bürkert), Inline DN 25, 10 bar, 7 m cable without connector, 14 - 220 l/min	30244710
Pressure sensor		
12	Pressure sensor 0–16 bar, 1 m cable with AMP connector	30303591
13	Pressure sensor, 0–50 bar, 1 m cable	312428
TANK-Control		
The first number in the article text is the maximum measurement value, while the second number is the overall length of the sensor.		
14	TANK-Control with level sensor 1200/1380	30252003
	TANK-Control with level sensor 1440/1620	30252006
	TANK-Control with level sensor 1600/1780	30252011
	TANK-Control with level sensor 1840/2020	30252021
	TANK-Control with level sensor 2080/2260	30252045
	TANK-Control with level sensor 2400/2580	30252051



ISOBUS HOEING-Controller



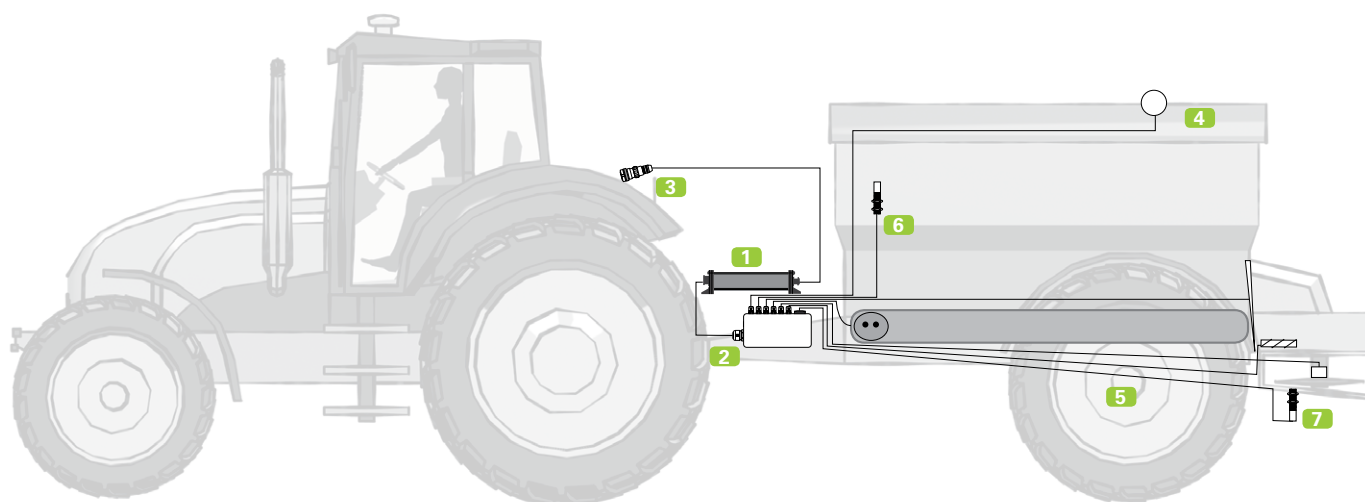
ISOBUS job computer for hoeing machines		Item no.
1	ISOBUS job computer MIDI 3.0 hoeing <i>(to be ordered from the Trimble store)</i>	75774-20
2	Connector cable ISOBUS job computer available in different cable lengths	see page 47
3	Universal junction box for ECU-MIDI 3.0 available in different cable lengths	see page 47
Accessories		
4	Connector cable, main to expansion job computer available in different cable lengths	see page 47
5	Sensor X (speed), trailed sprayer, 1 m cable with AMP connector, 12 magnets	30303621
6	GPS speed sensor	30258330
7	2 m connector cable for sensors, with 3-pin AMP socket to junction box	30303294

Function overview

Fertilization

	ISOBUS SPREADER-Controller	ISOBUS SLURRY-Controller
Application rate monitoring	-	●
Application rate regulation	●	●
ISOBUS system	●	●
No. of sections	> 2	18
Hydraulic functions	●	●
Trip and total counter	●	●
Task Management (ISOBUS-TC)	●	●
Working with prescription maps	●	●
Section control (SECTION-Control)	●	●
Multi-Product Control (MULTI-Product)	●	-
Multi-Device Control (MULTI-Device)	-	-
Multi-Boom Control (MULTI-Boom)	●	-
Rate control per section (MULTI RATE-Control)	●	-
Multi-Boom Section Control (MULTI SECTION-Control)	●	-
External keypads	-	4x 2 keys
AUX-N (Joystick)	●	●
Configuration	via terminal	PC

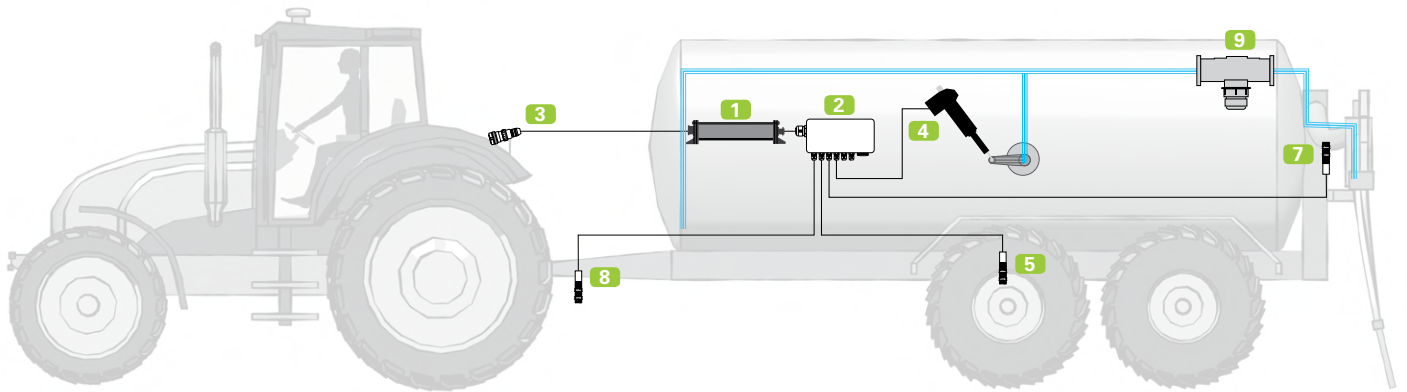
ISOBUS SPREADER-Controller



ISOBUS fertilizer spreaders		Part no.
1	Field IQ ISOBUS ECU-MIDI 3.0 <i>(to be ordered from the Trimble store)</i>	75774-20
2	Universal junction box for ECU-MIDI 3.0 available with different cable lengths	see page 47
3	Connector cable, ISOBUS job computer available in different cable lengths	see page 47
4	GPS speed sensor	30258330
5	Connector cable for sensors, 4 m with 3-pin AMP socket to junction box	30303296
6	Level sensor, 1 m cable, with AMP connector	30303650
7	Inductive sensor, 1 m cable with AMP connector, 8 mm switching distance	30303631

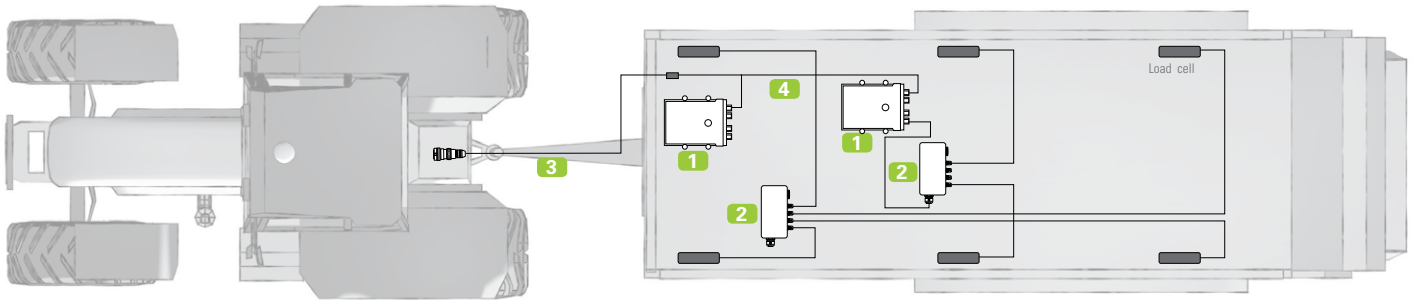


ISOBUS SLURRY-Controller



ISOBUS SLURRY-Controller		Part no.
1	Field IQ ISOBUS <i>(to be ordered from the Trimble store)</i>	75774-20
2	Universal junction box for ECU-MIDI 3.0 available with different cable lengths	see page 47
3	Connector cable, ISOBUS job computer available in different cable lengths	see page 47
4	Actuator (linear actuator)	302130
5	Sensor X for speed, 6 m cable without connector, 12 magnets	312583
6	GPS speed sensor	30258330
7	Sensor Y for work position, 5 m cable without connector, with installation equipment	312586
8	Rotational speed sensor for monitoring the pump speed, 6 m cable without connector, with installation equipment	302580
9	Magnetic / inductive flow meter, DN 100 Measurement range 0.3 - 4 cbm/min	30212611
	Magnetic / inductive flow meter, DN 125 Measurement range 0.4 - 6 cbm/min	30212621
	Magnetic / inductive flow meter, DN 150 Measurement range 0.5 - 8 cbm/min	30212631
	Magnetic / inductive flow meter, DN 200 Measurement range 0.8 - 12 cbm/min	30212641
10	Angle sensor 120° with AMP connector, without cable, with boom	30303675
11	Connector cable for sensors, 1.10 m with 3-pin AMP socket to junction box	3030329706
	Connector cable for sensors, 2 m with 3-pin AMP socket to junction box	30303294
	Connector cable for sensors, 4 m with 3-pin AMP socket to junction box	30303296
	Connector cable for sensors, 6 m with 3-pin AMP socket to junction box	30303295
	Connector cable for sensors, 8 m with 3-pin AMP socket to junction box	30303297
	Connector cable for sensors, 10 m with 3-pin AMP socket to junction box	3030329705
	Connector cable for sensors, 12 m with 3-pin AMP socket to junction box	30303298
	Connector cable for sensors, 20 m with 3-pin AMP socket to junction box	30303289
Accessories		
12	Connector cable, main to expansion job computer available in different cable lengths	see page 47

ISOBUS SCALE-Controller



ISOBUS Weighing system		Item no.
1	ISOBUS SCALE-Controller	30294002
2	Junction box for ISOBUS SCALE-Controller (max. 10 load cells)	30294003
3	ISOBUS connector cable for SCALE-Controller (Stand-alone), 0.6 m	30294004
4	ISOBUS connector cable for 2 SCALE-Controllers (Master and Slave), 0.85 m	30294005
5	Adapter cable for connecting a MIDI 3.0 job computer and at least one SCALE-Controller (can only be used together with a SCALE-Controller connection cable 30294004 or 30294005)	30294006
6	Cable harness for 4 load cells, 1 m	30294007
Accessory bag for the junction box with additional Skintops and blind caps		31322473



MIDI 3.0 standard components

Connector cable, ISOBUS job computer		Item no.
1	Connector cable, ISOBUS job computer, 1 m	3030314303
	Connector cable, ISOBUS job computer, 2.5 m	3030314603
	Connector cable, ISOBUS job computer, 4 m	3030314403
	Connector cable, ISOBUS job computer, 5.5 m	3030314803
	Connector cable, ISOBUS job computer, 6.5 m	3030314003
	Connector cable, ISOBUS job computer, 8.5 m	3030314203
	Connector cable, ISOBUS job computer, 11 m	3030314103
	Connector cable, ISOBUS job computer, 14 m	3030314703
Connector cable, main to expansion job computer		
2	Connector cable, main to expansion job computer, 0.3 m	30322355
	Connector cable, main to expansion job computer, 0.6 m	3032235804
	Connector cable, main to expansion job computer, 1.5 m	30322359
	Connector cable, main to expansion job computer, 3.2 m	30322358
	Connector cable, main to expansion job computer, 4 m	3032235801
	Connector cable, main to expansion job computer, 6.5 m	30322357
	Connector cable, main to expansion job computer, 8 m	3032235802
	Connector cable, main to expansion job computer, 10 m	30322356
	Connector cable, main to expansion job computer, 14 m	3032235803
Universal junction box		
3	Universal junction box for ECU-MIDI 3.0 , 0.6 m cable	3032247001
	Universal junction box for ECU-MIDI 3.0 , 1.5 m cable	3032247501
	Universal junction box for ECU-MIDI 3.0 , 2 m cable	3032247101
	Universal junction box for ECU-MIDI 3.0 , 4 m cable	3032247201
Sensors		
GPS speed sensor		30258330
Work position sensor		30303615
Revolution sensor with AMP connector		30303623

1



2



3



Spare parts

ISOBUS	Item no.
ISOBUS non-touch terminal bracket (BT1N)	31322505
ISOBUS touch-terminal bracket	31322506
VESA bracket with bolts for TOUCH terminals	31322512
Connector cable for tractors with ISOBUS in-cab connector	31322541
Extension cable with 9-pin Sub-D connector for ME terminal to ISOBUS basic vehicle harness	30322571
Suction bracket with mounting bracket	31302471
Suction bracket without mounting bracket	31302472
Mounting bracket	312075
LBS/ISO socket	31300405
LBS/ISO connector	31300400
Termination plug	31300582
Extension cable for ISOBUS job computer connector/socket, 2 m	3030313801
Extension cable for ISOBUS job computer connector/socket, 6.50 m	30303134
Extension cable for ISOBUS job computer connector/socket, 9.50 m	30303137
SMART430®/SMART570® basic vehicle harness, with 6 m connector cable with 9-pin CPC connector and 2.5 m connector cable for job computer MIDI 3.0	3032257601
SMART430®/SMART570® basic vehicle harness, with 6 m connector cable with 9-pin CPC connector and 10 m connector cable for job computer MIDI 3.0	3032257701
USB memory device, 4 GB, black, for ME terminals as of hardware version 3.0.0 and TOUCH1200®	3032258915
Bracket for joystick	31302015
Connector cable for HQ and NQ camera for touch terminals, 10 m	31303062
Connector cable for HQ2 camera for touch terminals, 10 m	31303064

Non-ISOBUS	Item no.
Connector cable ISO-11786 for connection to the signal socket with a 12-pin connector	312243
Adapter cable to signal connector in accordance with DIN 9684.1 (7-pin) KHD, UNIMOG (Unicomp), FENDT, John Deere, Case-Steyr	312662
Adapter cable for FENDT signal socket (4-pin), for junction box	312660
Adapter cable for signal socket in accordance with DIN 9684.1 (7-pin) for junction box KHD, UNIMOG (Unicomp), FENDT, John Deere, Case-Steyr junction boxes, with 3-pin connector	312120
Battery cable, 2 x 6 qmm with ignition signal with 3-pin socket (DIN9680)	31215401
Bracket	31321105
Bracket 1 Spraymat / Unimat (upper part)	312074
Bracket for SPRAYMAT II / UNIMAT II (upper part)	31322505
S bracket with top hat rail	312226
Tractor junction box, S Standard, with sensor X	312240
16-pin aluminium coupling	312498
20-pin connector	312497
30-pin connector with protective cap	312499
30-pin female multipoint connector (complete)	31249901

Spare parts

Non-ISOBUS	Item no.
39-pin connector with protective cap	31249905
39-pin female multipoint connector (complete)	31249910
40-pin coupling	302490
Switch for switch box S2 or SPRAYDOS, with center position (e.g. for foam marker)	31247305
Switch, 2-pin, 6 A (large), section switch, ON/OFF, manual/automatic	31247350
Switch, 2-pin, 20 A (large), section main switch	31247360
Switch 1-pin, 15 A (large), switch box ON/OFF	31247370
Switch for switch box S2 or SPRAYDOS, can be used as section main switch, section switch, on/off switch	31247300
Momentary switch 2-pin, 10 A (large), +/- control	31247375
Key for switch box S2 or SPRAYDOS for hydraulic functions (control +/-)	31247310

GNSS receiver	Item no.
Connector cable A100/A101 to ME terminal, 6 m	31302462
Connector cable A100/A101 to ME terminal, 12 m	31302468
Connector cable A100/A101, with speed output for the terminal	31302457
Connector cable AG-STAR/SMART-6L to ME terminal, 6 m	31302476
Connector cable AG-STAR/SMART-6L to ME terminal, 12 m	3130247607
Connector cable AG-STAR, with speed output for the terminal	31302454
Connector cable for GPS receiver Ag-200, 6 m	3130247700
Connector cable for GPS receiver Ag-200, 12 m	3130247703
Connector cable for AG-200 with Speed-out, 6 m	3130247704
Y cable for GNSS receiver to connect to 2 terminals	31302459
Mounting accessories for A100/A101 for second tractor self-adhesive metal plate – counterpart to the magnetic foot	31302465
Mounting accessories for AG-STAR/SMART-6L for second tractor self-adhesive metal plate – counterpart to the magnetic foot	3130247601
Magnetic pedestal with bolt for A100 / A101	31302466
Mounting accessories for AG-200	3130247702
Dust protection cap for A101	31300557
Dust protection cap for AG-STAR / SMART-6L	31300583
GSM/GPRS antenna with magnetic foot and self-adhesive metal plate	3030248912
L-BAND activation for SMART-6L, necessary for TerraStar-C	3030248930
RTK activation for SMART-6L Absolute accuracy \pm 2 cm	3030248931
TerraStar licence fees	
TerraStar-C licence fee, 1 year subscription	3030248932
TerraStar-C licence fee, 3 month subscription	3030248952
TerraStar-L licence fee, 1 year subscription	3030248935

Spare parts

Sensors	Item no.
Sensor X for drive shaft or wheel, 1 m cable with AMP connector, without installation equipment	31302006
Sensor X for drive shaft or wheel, 6 m cable with 12-pin connector, without installation equipment	312265
Sensor X for drive shaft/wheel, 6 m cable without connector, for junction box, without installation equipment	312600
Sensor X for drive shaft/wheel, 10 m cable without connector, for junction box, without installation equipment	312601
Sensor X for drive shaft/wheel, 6 m cable without connector, for junction box, with installation equipment	312580
Sensor X for drive shaft/wheel, 6 m cable with connector, without installation equipment	312084
Sensor X for drive shaft/wheel, 6 m cable with connector, with installation equipment	312083
Sensor X for wheel, 10 m cable with connector, without installation equipment	312086
Sensor X for wheel, 10 m cable with connector, with installation equipment with 12 magnets (trailed sprayer)	312085
Sensor X for trailed sprayer, 6 m cable without connector with 12 magnets, complete	312583
Sensor X for forwards-/backwards analysis, 12 m cable without connector, without installation equipment	312082
Sensor X for forwards-/backwards analysis, 12 m cable with connector, with installation equipment	312081
Sensor X accessories bag, drive shaft	312112
Sensor Y, 1 m cable with AMP connector without installation material	31302506
Sensor Y for SPRAYMAT II//UNIMAT II hectare counter, with 5 m cable	312742
Sensor Y for work position, 5 m cable without connector, for implement junction box, without installation equipment	312606
Sensor Y for work position, 5 m cable without connector, for implement junction box, with installation equipment	312586
Sensor Y for work position, 5 m cable with connector, without installation equipment	312090
Sensor Y for work position, 5 m cable with connector, with installation equipment	312089
Ultrasonic sensor for boom control	30217518
Rotational speed sensor, 8 m cable without connector, for machine junction box, without installation equipment	312613
Inductive sensor 12 mm, 1 m cable with AMP connector, 4 mm switching distance	30303625
Inductive sensor 12 mm, 6 m cable without connector	312162
Inductive sensor 18 mm, 1 m cable with AMP connector, 8 mm switching distance	30303631
Inductive sensor 18 mm, 6 m cable without connector	312164
Level sensor, 1 m cable with AMP connector	30303650
Pressure gauge with key, without pressure sensor	31243010
Pressure sensor, 0 - 50 bar, 9 m cable	312428
Sensor for Polmac 1", flow meter spare	312446
Sensor for Polmac 1", flow meter spare, with AMP connector	31244610
Fan wheel for Bürkert Inline (as of 2000)	31244420
Magnet with screw V2A	312140
PTO shaft plate, complete with magnet and screw	312135
Clamp, 27/51 mm with 1 magnet for drive shaft	312136
Clamp, 50/70 mm with 1 magnet for drive shaft	312137
Clamp, 27/51 mm with 2 magnets for RPM monitoring	312139
Installation power socket from 1/91 for battery cable (socket)	312156

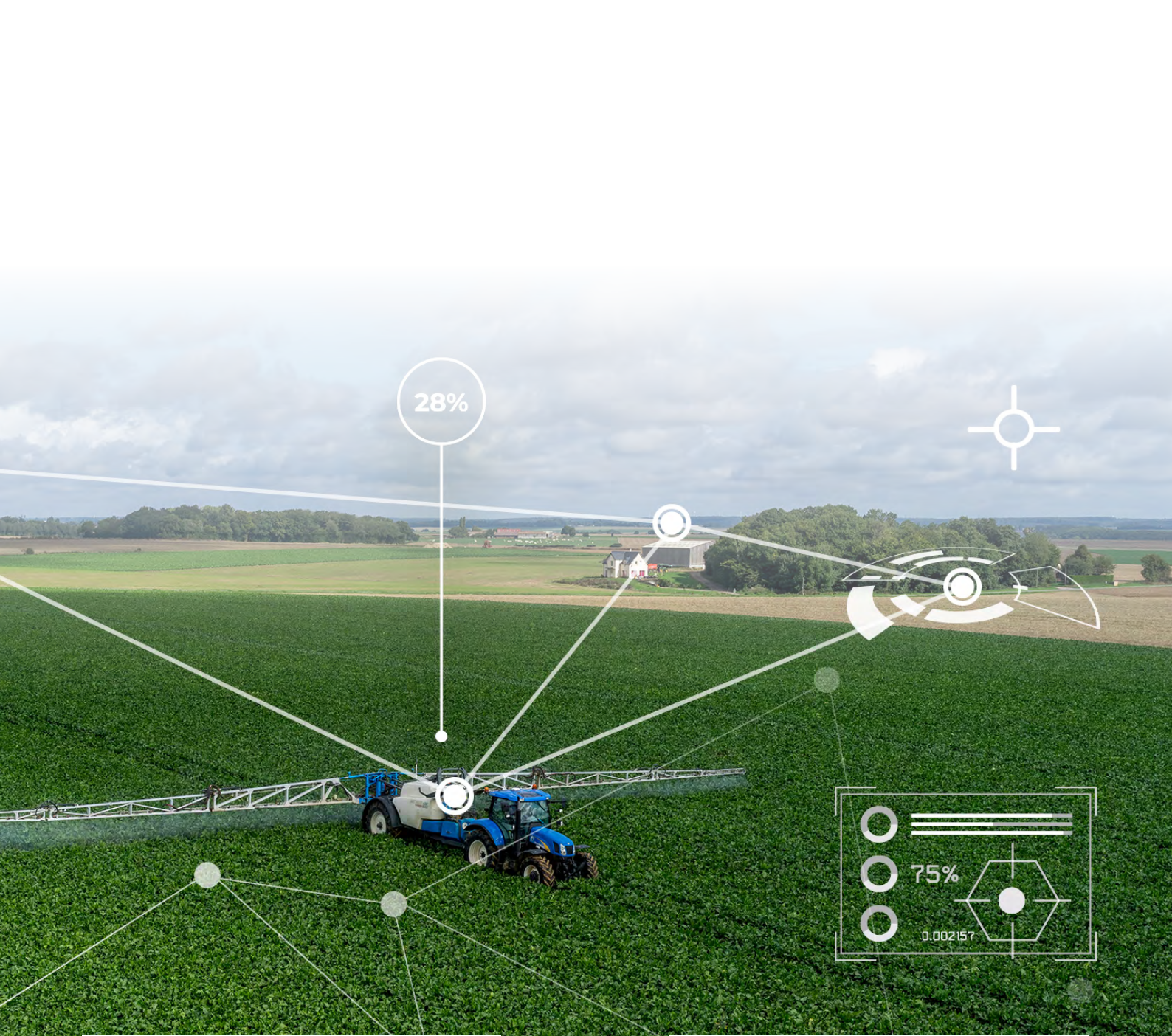
Spare parts

Sensors	Item no.
Equipment connector from 1/91 for computer (tacks)	312157
Gyroscope without bracket	31303160
Bracket for gyroscope	31303161
Angle sensor 30° with AMP connector, without cable, with boom	30303672
Angle sensor 60° with AMP connector, without cable, with boom	30303673
Angle sensor 120° with AMP connector, without cable, with boom	30303675

Cabling	Item no.
AMP connector, 3-pin, for sensor	31300561
AMP socket, 3-pin, for sensor	31300571
AMP dummy connector, 3-pin (on cable harness)	31300540
AMP connector, 4-pin, for sensor	31300562
AMP socket, 4-pin, for sensor	31300572
AMP dummy connector, 4-pin (on cable harness)	31300541
AMP connector, 5-pin, for sensor	31300563
AMP connector, 42-pin, complete, for job computer	31300545
AMP socket casing, 16-pin, complete, for job computer	31300552
Connector cable for sensors, 1.10 m with 3-pin AMP socket to junction box	3030329706
Connector cable for sensors, 2 m with 3-pin AMP socket to junction box	30303294
Connector cable for sensors, 4 m with 3-pin AMP socket to junction box	30303296
Connector cable for sensors, 6 m with 3-pin AMP socket to junction box	30303295
Connector cable for sensors, 8 m with 3-pin AMP socket to junction box	30303297
Connector cable for sensors, 10 m with 3-pin AMP socket to junction box	3030329705
Connector cable for sensors, 12 m with 3-pin AMP socket to junction box	30303298
Connector cable for sensors, 20 m with 3-pin AMP socket to junction box	30303289
Cap for 42-pin connector to cable harness	31300554
AMP connector, 2-pin, for sensor	31300560
AMP socket, 2-pin, for sensor	31300570
AMP dummy connector, 2-pin (on cable harness)	31300539

Others	Item no.
Service case	30309980
Crimping pliers and dent-levelling tool	30309990
Test device cabel harness	30309960

Solenoid valve/manifold spare parts	Item no.
Free-wheeling diode solenoid valve	312399



A TRIMBLE COMPANY

Müller-Elektronik GmbH

Franz-Kleine-Straße 18 . 33154 Salzkotten . Germany
Tel. +49 5258 9834-0 . Fax +49 5258 9834-90
info@mueller-elektronik.de . www.mueller-elektronik.de



Trimble Westminster

10368 Westmoor Drive
Westminster . Colorado 80021 . U.S.
www.trimble.com/Agriculture



www.mueller-elektronik.de



shop.mueller-elektronik.de



www.facebook.com/me.salzkotten



www.trimble.com/Agriculture



store.trimble.com



www.facebook.com/TrimbleAgriculture